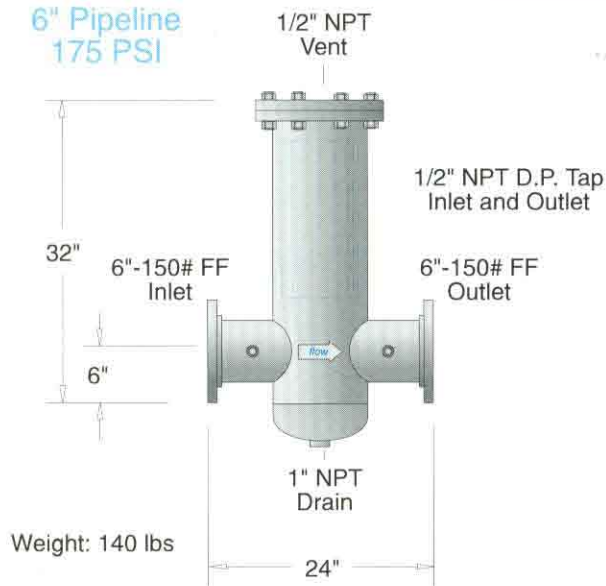
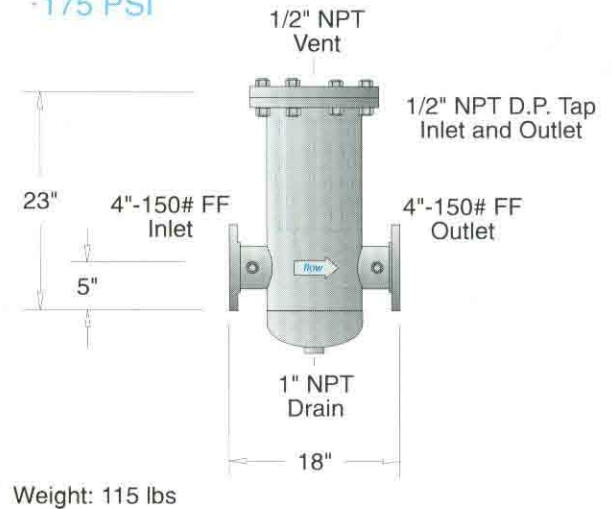


6" Pipeline
175 PSI



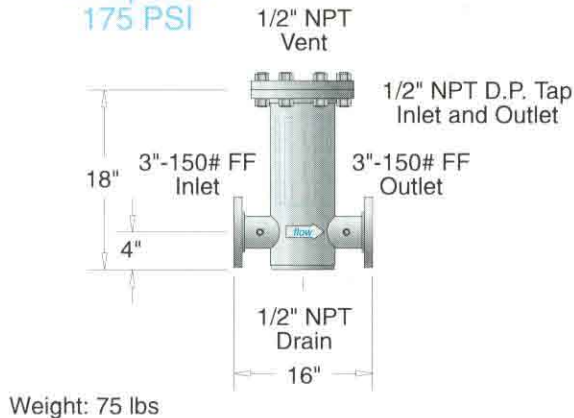
GFR-06-175

4" Pipeline
-175 PSI



GFR-04-175

3" Pipeline
175 PSI



GFR-03-175

2" Pipeline
175 PSI



GFR-02-175

GFR SERIES DRY GAS FILTERS

APOLLO GFR SERIES DRY GAS FILTERS are designed to effectively and efficiently remove dirt, mill scale, pipeline rouge and other particulate matter from gas pipelines in commercial and industrial applications.

These rugged all steel filters are available in standard design pressures of 175, 275, 720 and 1440 psig and in sizes 2" through 6". Standard filter elements are either resin impregnated cellulose fiber or spun fiberglass, depending on the model selected. These elements will typically remove 99.5% of all particles larger than 10 microns in size.

The bolted bonnet design provides quick and easy service access so that the filter elements can be changed with minimal effort and down time. DPI assemblies are optionally available so that filter performance can be easily monitored.

Consult your **Apollo Sales Representative** for complete dimensional and operational details.

How to Order, Example
4" Pipeline
175 PSIG MAOP

